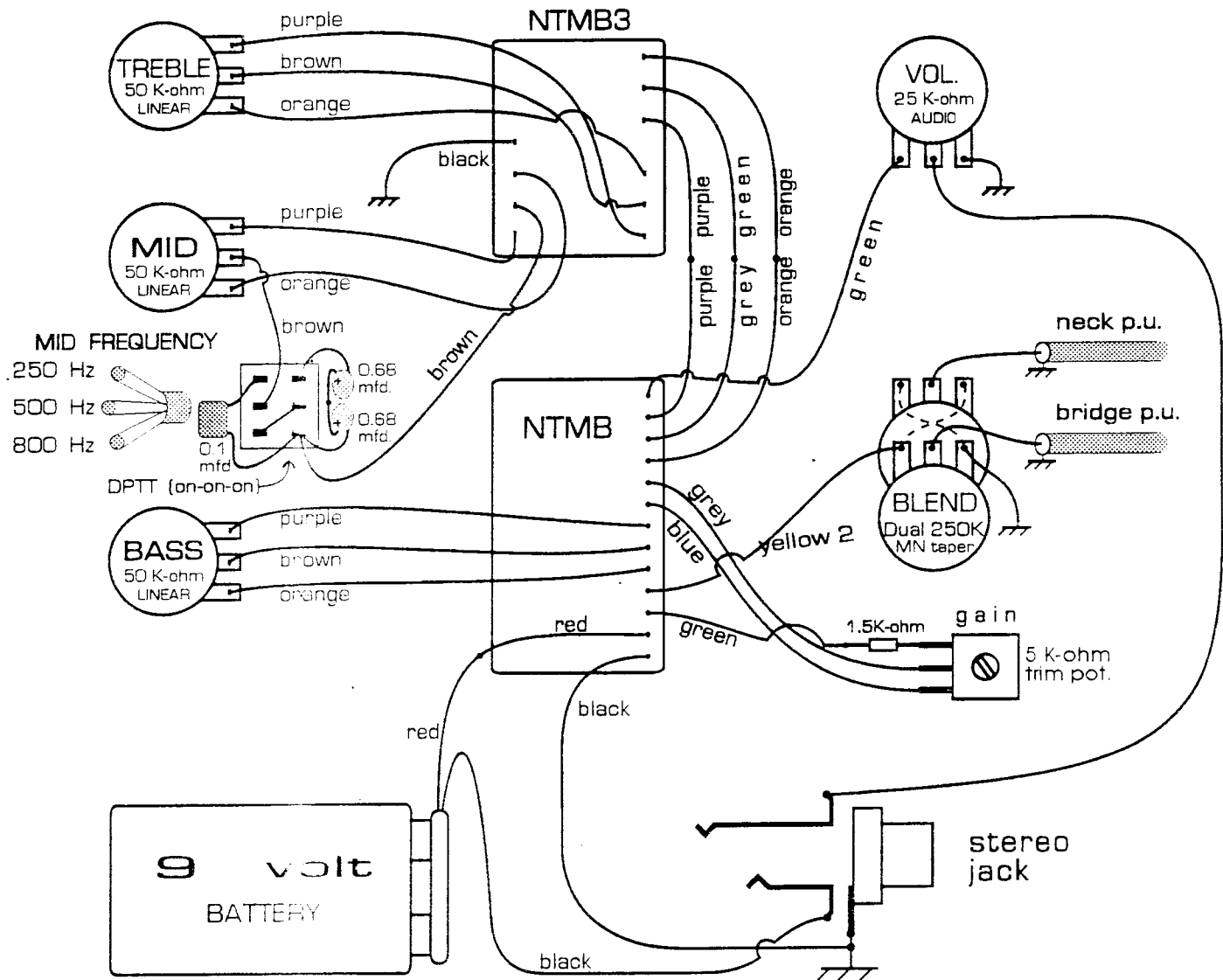


3 Band 9 volt Preamp/Tone control with switchable Mid frequencies



The NTMB is a tone control preamp with fully independent Bass, Mid and Treble controls with very low noise and wide boost/cut range. It consists of 2 prewired modules for ease of installation. The main module (NTMB) is two-thirds the size of a 9 Volt battery. The second module (NTMB2 or NTMB3) is 1/3 smaller. The tone is very clear and transparent. Bass/Treble tone control potentiometers are B50K (Bass, Mid and Treble). The NTMB is designed for use with a single 9 Volt battery.

Tone Control Boost and Cut range

- Bass +/- 15dB @ 30Hz
- Mid +/- 10dB @ 400Hz (other mid frequencies available)
- Treble +/- 16dB @ 10KHz

The NTMB needs 750 microamperes of current from a single 9 Volt battery. This means 1 month of continuous duty or more than 6 months of average usage.

Prewired NTMB and NTMB2 (or NTMB3) with gain control trimpot \$ 94.00

NTMB Midrange Control Frequencies

capacitors in series from NTMB2/3 to Mid control	capacitance (microfarads)	NTMB2 (grey) resonant frequency (Hz)	NTMB3 (green) resonant frequency (Hz)
0.068 (683)	0.068	1085	1023
0.082 (823)	0.082	999	932
0.1 (104)	0.1	917	845
2 - 0.22 mfd (+ to +)	0.11	882	807
0.22 and 0.33 mfd (+ to +)	0.132	819	<<< 740
2 - 0.33 mfd (+ to +)	0.165	753	667 <<<
0.33 and 0.47 mfd (+ to +)	0.194	711	621
2 - 0.47 mfd (+ to +)	0.235	668	572
0.47 and 0.68 mfd (+ to +)	0.278	634	<<< 534
2 - 0.68 mfd (+ to +)	0.34	600	494
0.68 and 0.82 mfd (+ to +)	0.372	586	478
2 - 0.82 mfd (+ to +)	0.41	572	462
0.82 and 1.0 mfd (+ to +)	0.451	559	447
2 - 1.0 mfd (+ to +)	0.5	547	432 <<<
connected without capacitor	-----	419	<<< 265 <<<

to mid lug of Mid Control

