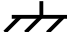
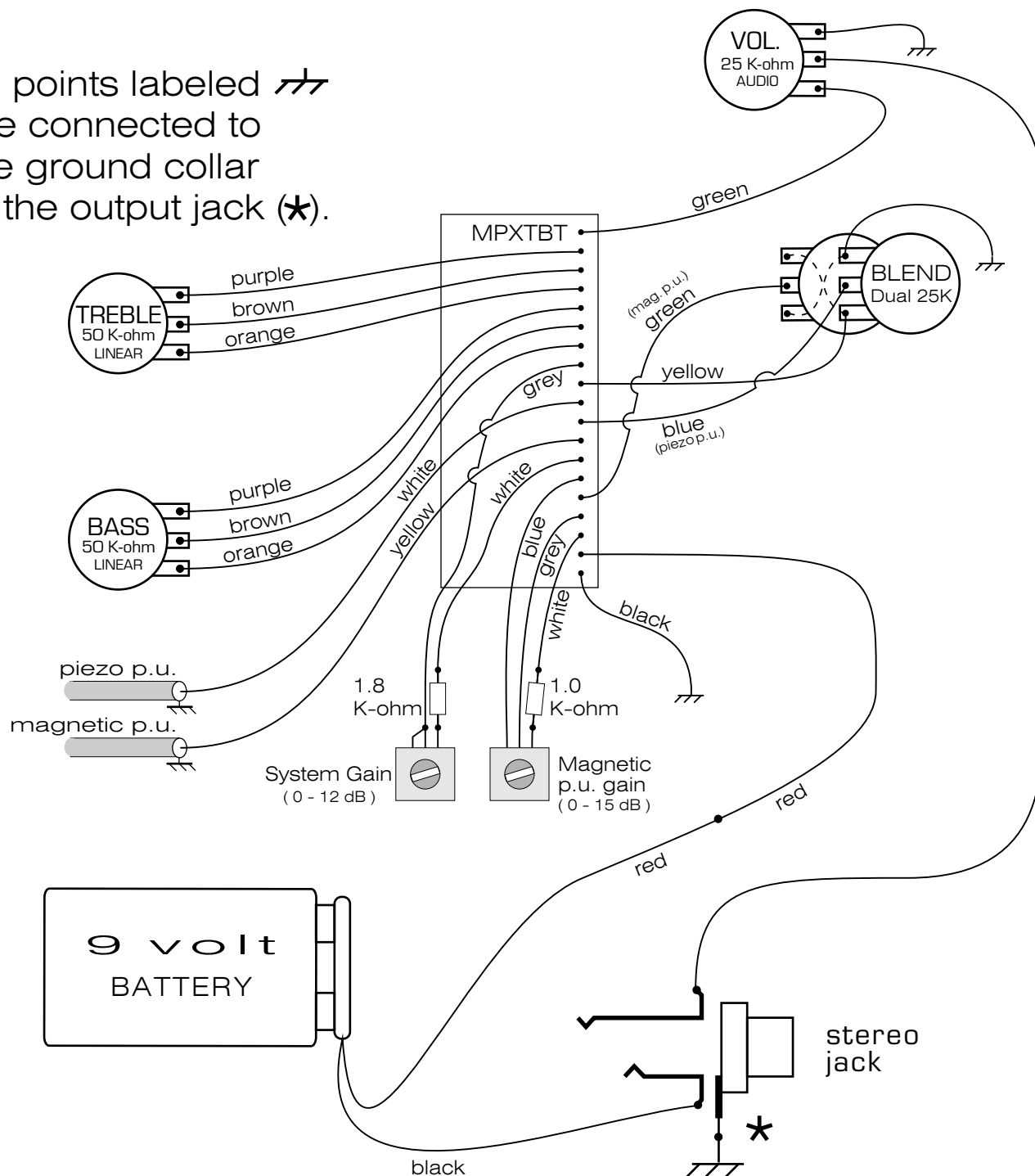


Buffered 2 Band Tone Control for Magnetic and Piezo inputs

All points labeled  are connected to the ground collar of the output jack (\*).



Input Impedance

Magnetic Input: 470 K-ohm

Piezo Input: 3.3 M-ohm

Tone Control Range

Treble: +/- 15 dB @ 8 KHz

Bass: +/- 15 dB @ 80 Hz

Battery Drain: ~1milliampere. This means 500 hours continuous duty from an alkaline battery or more than 4 months battery life if the instrument is used 4 hours per day.