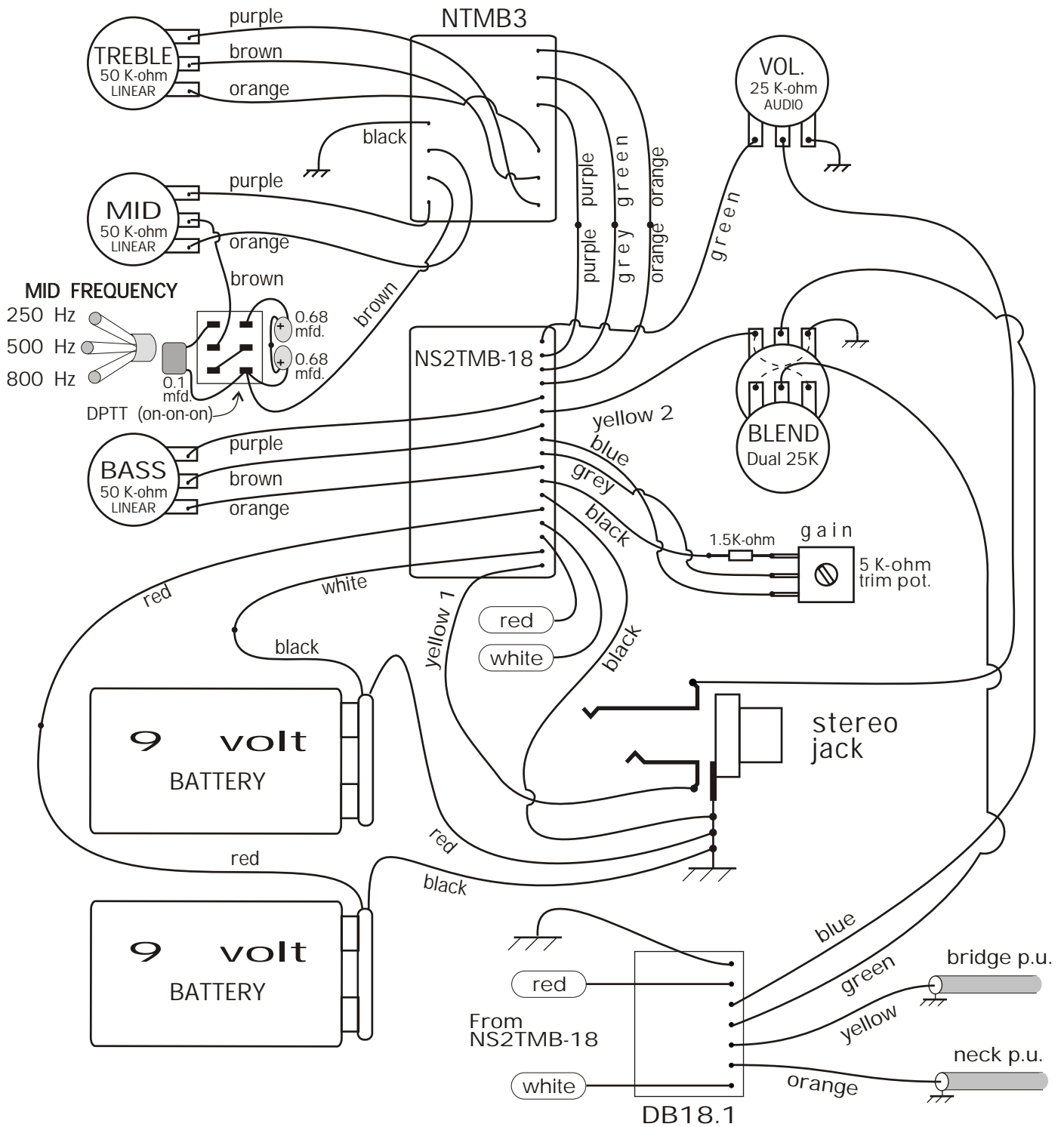


NS2TMB-18 3 Band 18 volt Preamp with DB18.1 DualBuffer



The "inside" red and white leads should measure +9 volts and -9 volts respectively only when the yellow 1 lead is grounded by plugging into the stereo jack